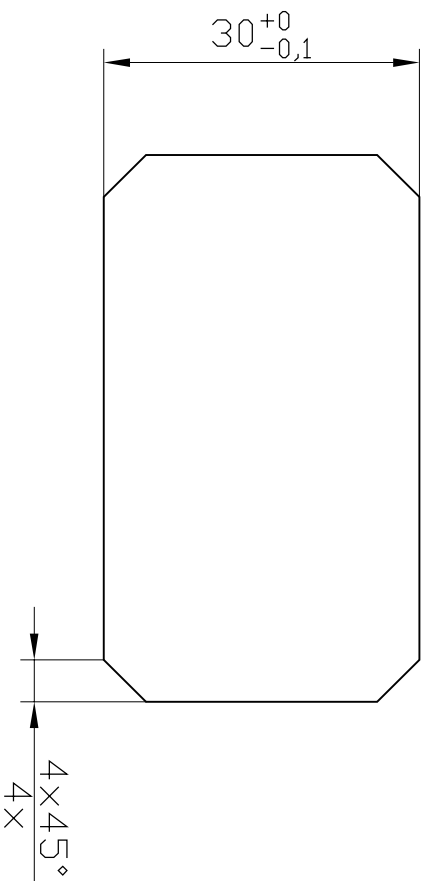
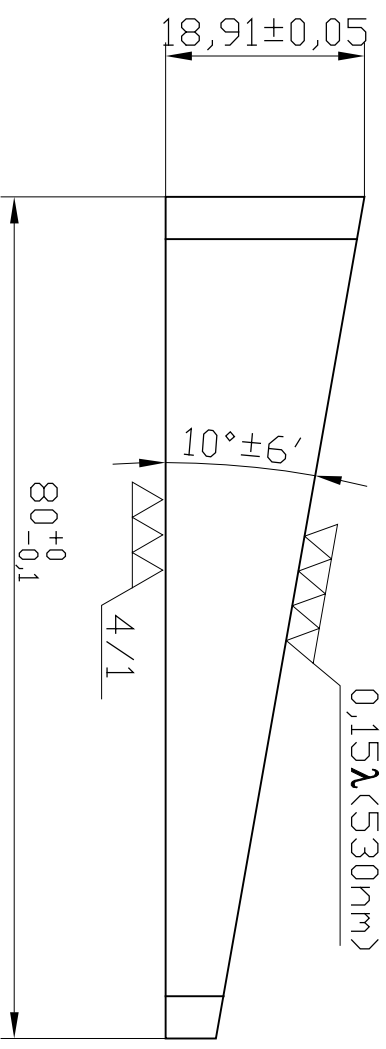


Not signed chamfers:  $0,3-0,5\text{mm} \times 45^\circ$

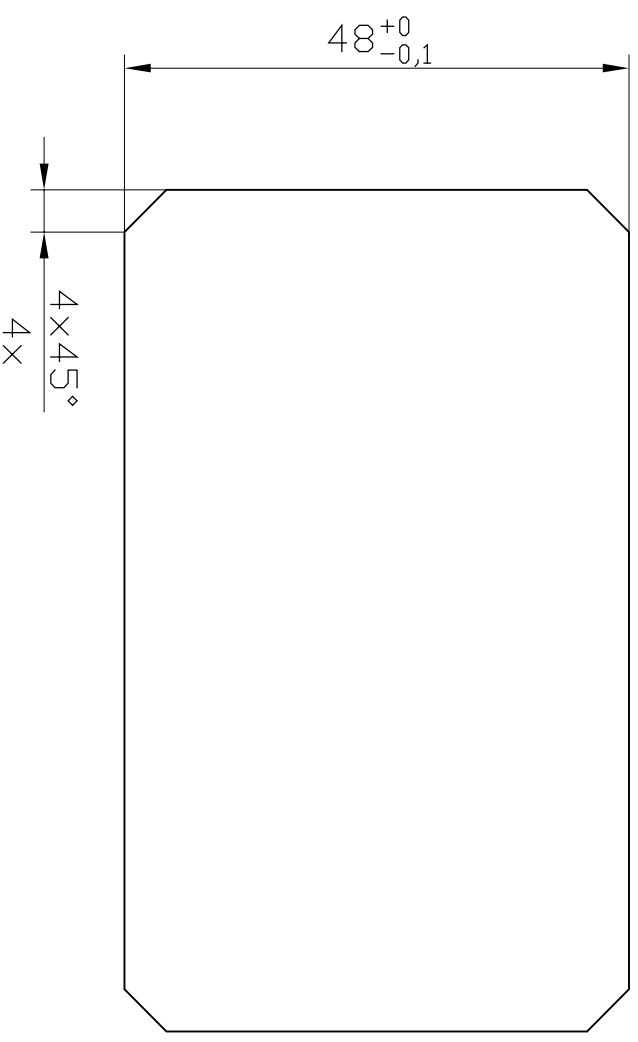


POLARISING WEDGE No1

Material: SCHOTT N-BK7



Not signed chamfers:  $0,3-0,5\text{mm} \times 45^\circ$



POLARISING WEDGE No2

Material: SCHOTT N-BK7